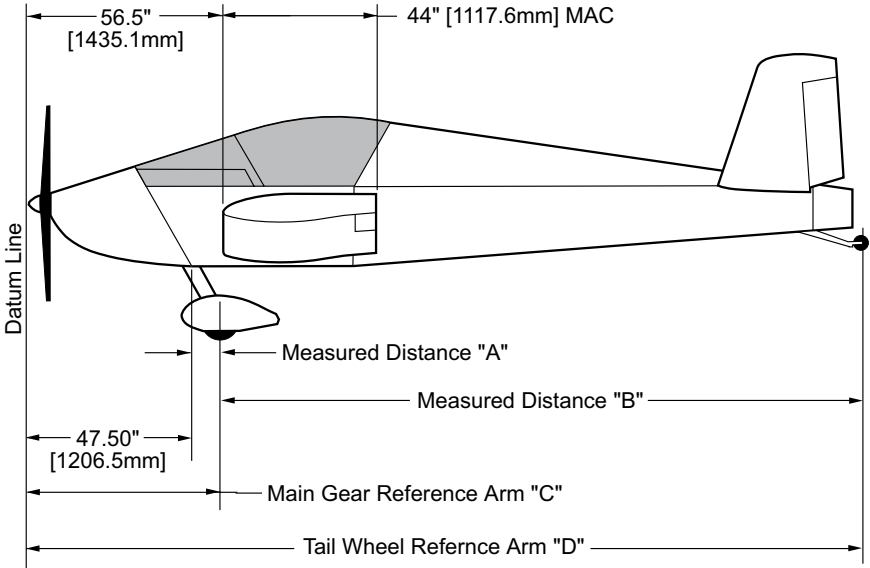


Weight and Balance

Record your aircraft's empty weights and arms below. This information will be used to calculate your aircraft's center of gravity on page 21.

ARM DIAGRAM



Datum = Tip of Spinner

Measured Distance "A" = _____

Measured Distance "B" = _____

Main Gear Reference Arm "C" = 47.50" [1206.5mm] + "A" = _____

Tail Wheel Reference Arm "D" = "C" + "B" _____

Right Hand Main Gear Weight = _____

Left Hand Main Gear Weight = _____

Tail Wheel Weight = _____