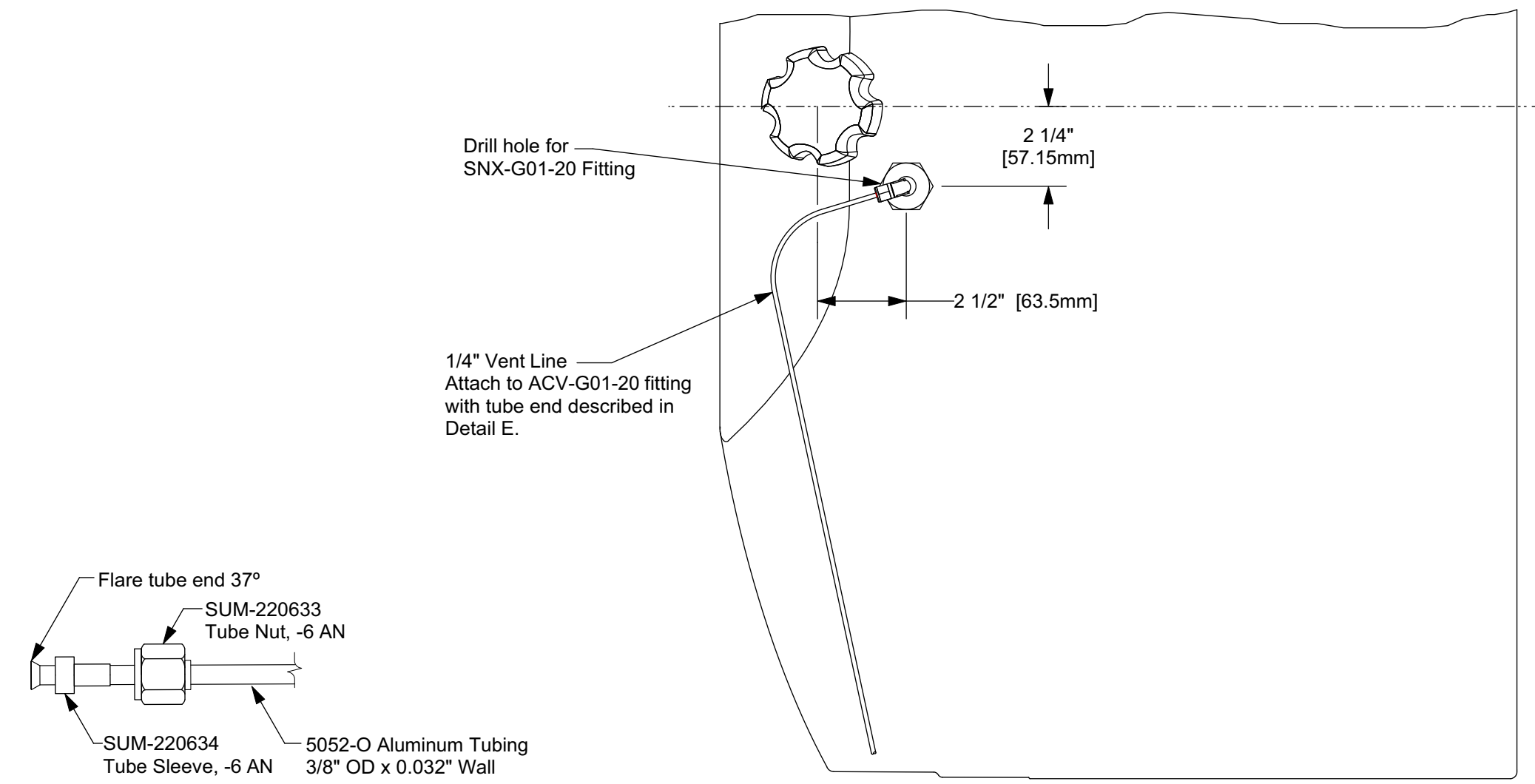
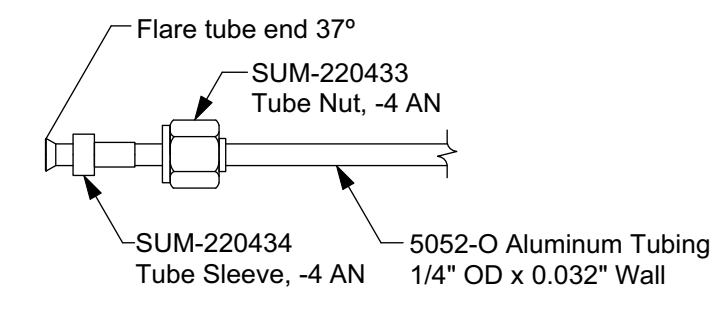


The information disclosed herein is the property of the originator who reserves all patent, design, proprietary, manufacturing, use and sales rights thereto, except for the rights expressly granted to others. This document shall not be reproduced nor shall the information contained within be used by or disclosed to others except as expressly authorized by the originator.

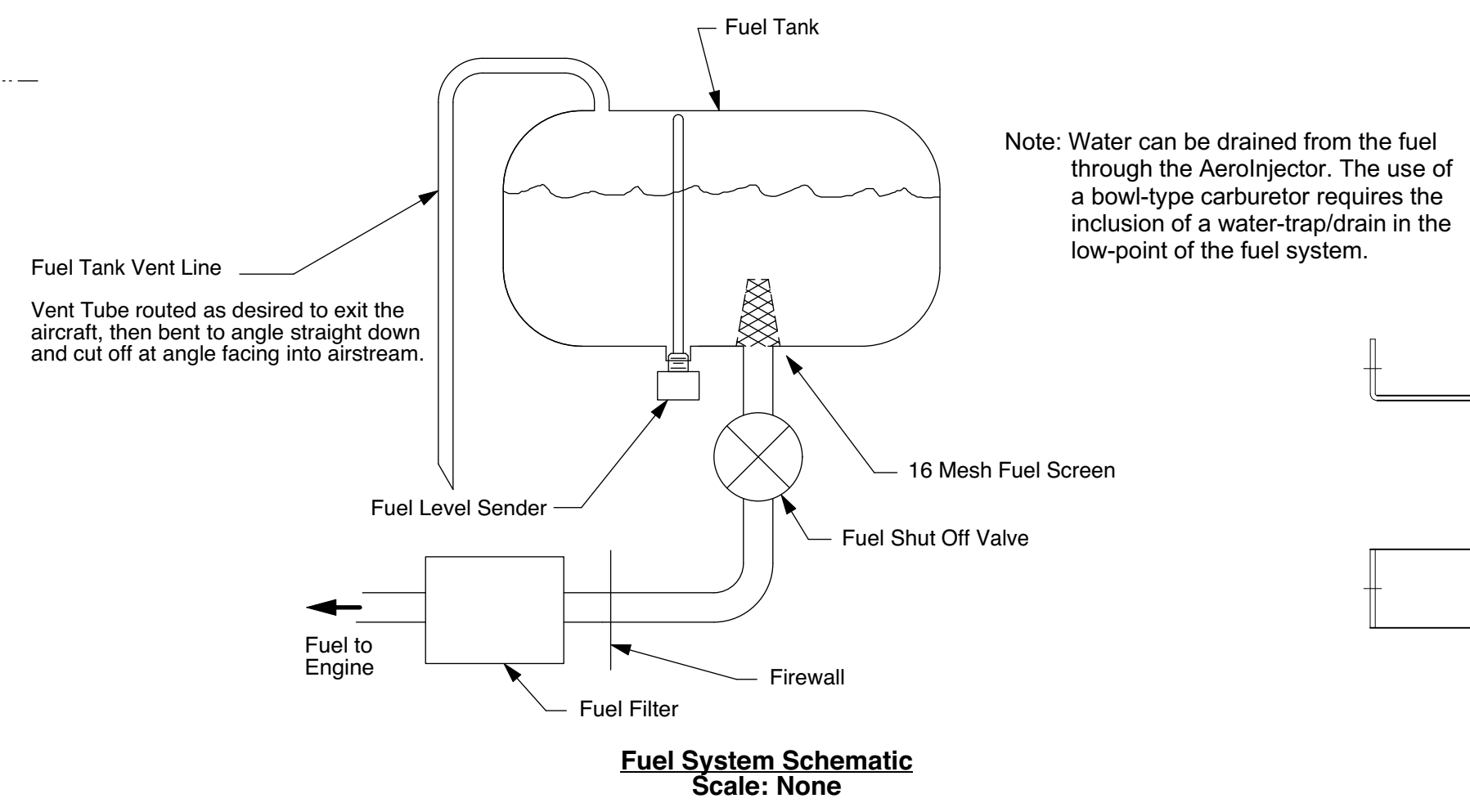
Revision Letter	Change Description	12/07/16
A	Detail B: AN3-15A Bolts, 4 Required was AN3-20A Bolts.	
B	Detail B: AN3-14A Bolts, 4 Required was AN3-15A Bolts. Part Change: SNB-G01-11 Fuel Tank Straps replaced SNB-G01-10 Straps. Installation Instructions Added: Added "Preparing and Installing the Fuel Tank" Instructions. -02 Tank Installation: Added Hardware call-outs for new Fuel Tank Strap halves.	6/22/21
C	"Preparing and Installing the Fuel Tank": Revised procedure to season the tank in the airframe rather than out of the airframe.	9/09/21
D	"Preparing and Installing the Fuel Tank": Eliminated seasoning the tank. Revised installation procedure to tighten fuel tank straps only after the tank has been exposed to fuel, installed in the fuselage, for at least 6 weeks.	11/10/21



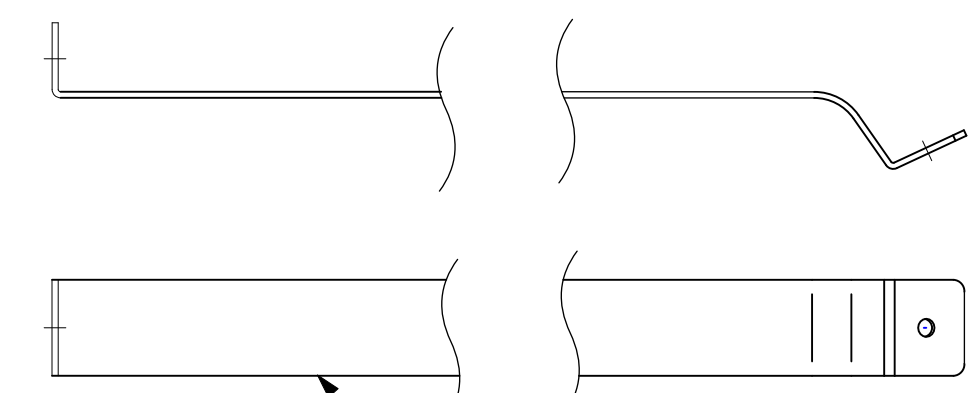
Detail D
-6 AN Tube End Detail
Scale: None



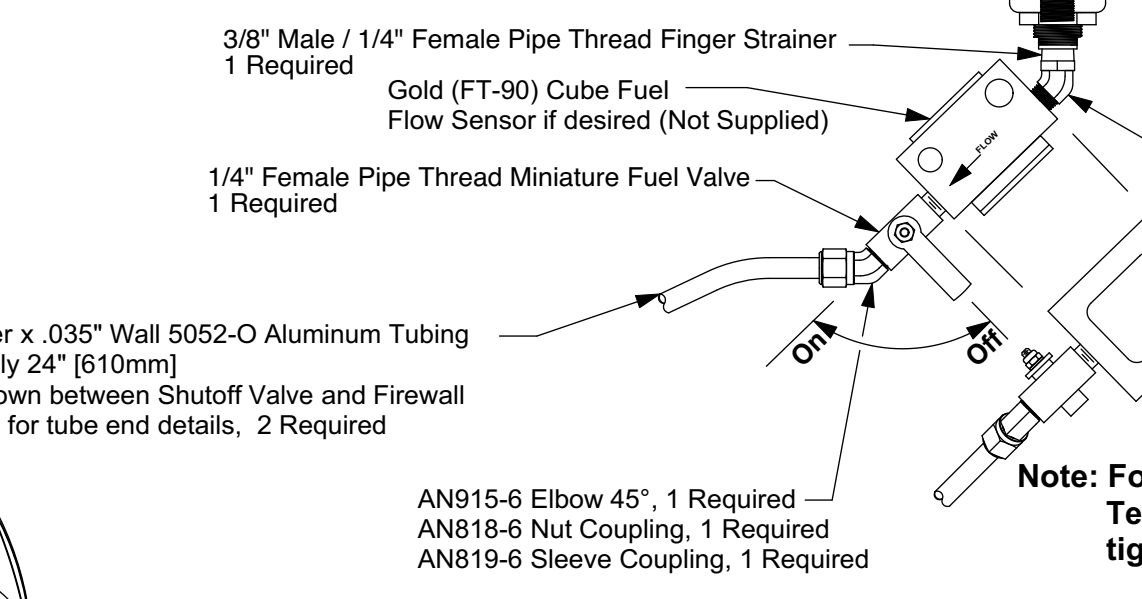
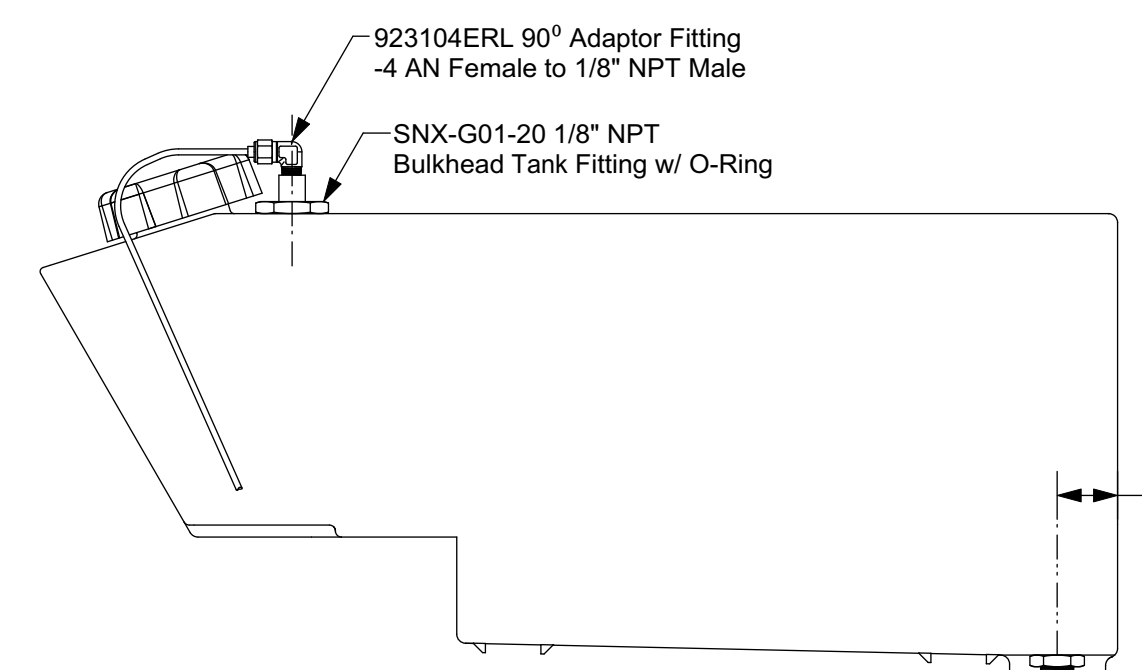
Detail E
-4 AN Tube End Detail
Scale: None



Fuel System Schematic
Scale: None

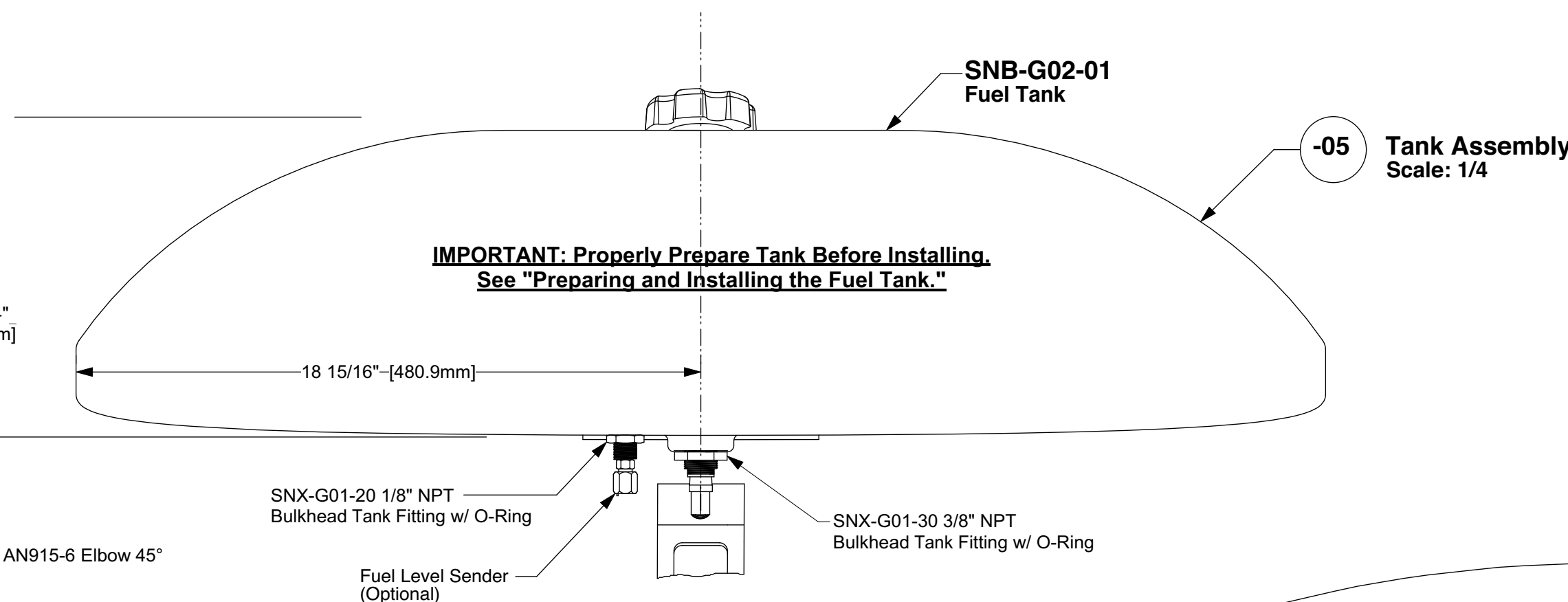


SNB-G01-11
Tank Strap, 4 Required



For Vent Line:
1/4" Diameter x .032" Wall 5052-O Aluminum Tubing
Approximately 70" [610mm]
Route as desired, secure with plain clamps*:
AN742-D4 Plain Clamp
AN526-832R8 Machine Screw
AN960-8 Washer
AN965-832A Nut
*number required depends on routing and builder preference. Four (4) sets included in hardware kit.

Note: For all NPT fittings apply Teflon paste before tightening lines.



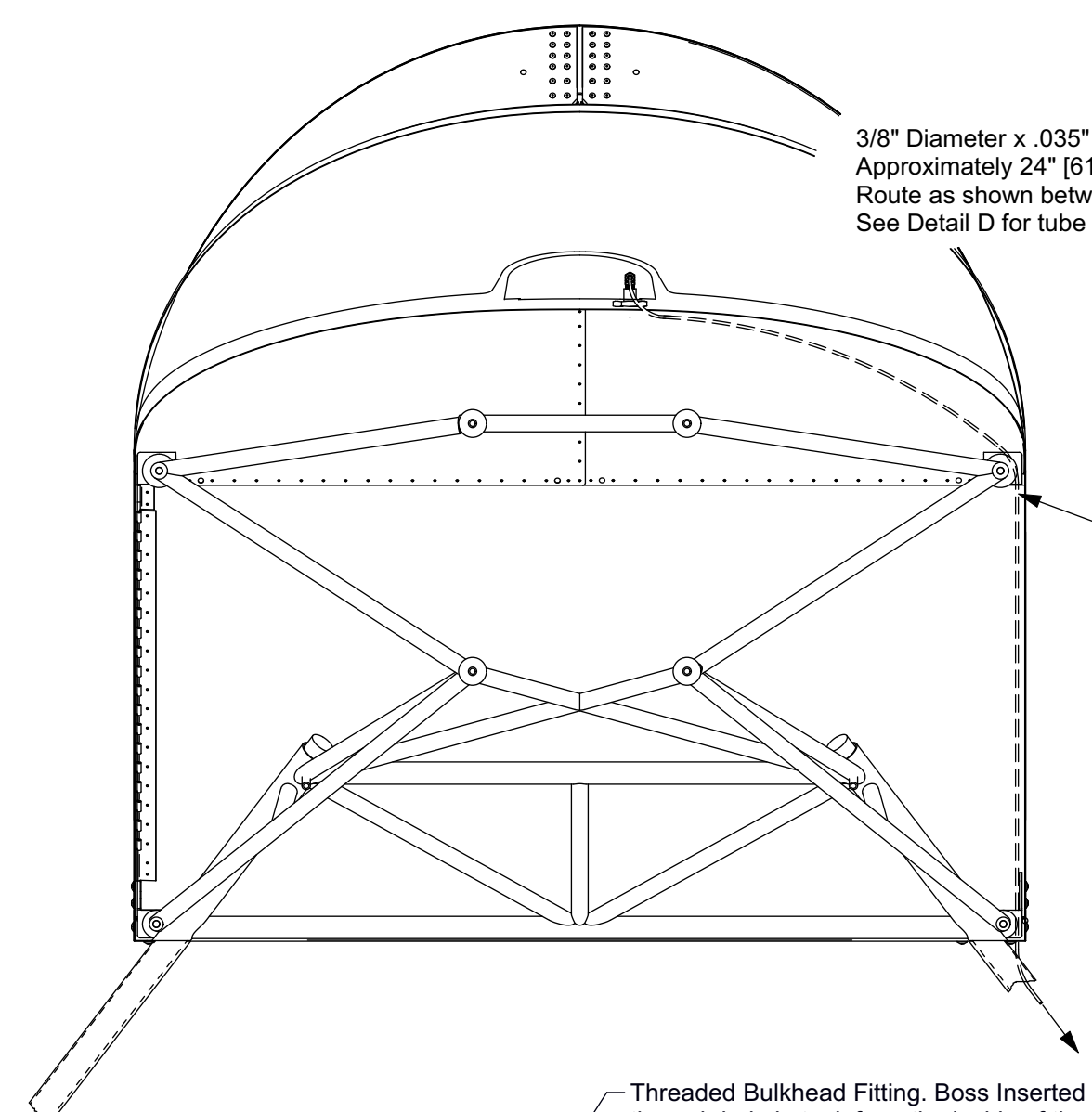
-05 Tank Assembly
Scale: 1/4

! IMPORTANT !
Preparing and Installing the Fuel Tank:

The fuel tank expands when exposed to fuel. To prevent distortion of the tank this procedure must be followed. Failure to follow this procedure may result in a distorted, unworthy fuel tank installation.

1. Install the Bulkhead fittings in the fuel tank.
2. Thoroughly clean the inside of the fuel tank with water.
3. Let the tank dry.
4. Plug the ports of the fuel tank with pipe plugs lubricated with teflon paste.
5. Attach the fuel tank straps to the upper longerons. See Detail B.
6. Install the fuel tank, leaving the support straps loosely supporting the tank. See Section A-A.
7. If the glare shield and instrument panel are not installed, install them with clecos.
8. Add about 2 gallons of fuel to the tank.
9. Install the fuel cap.
10. Leave the fuel tank sealed for 6 weeks. During this time the tank will expand slightly.
11. Tighten the bolts that join the fuel tank strap halves until the straps contact the tank without putting pressure on it. It is normal for the straps to have some fore-and-aft movement once tightened.

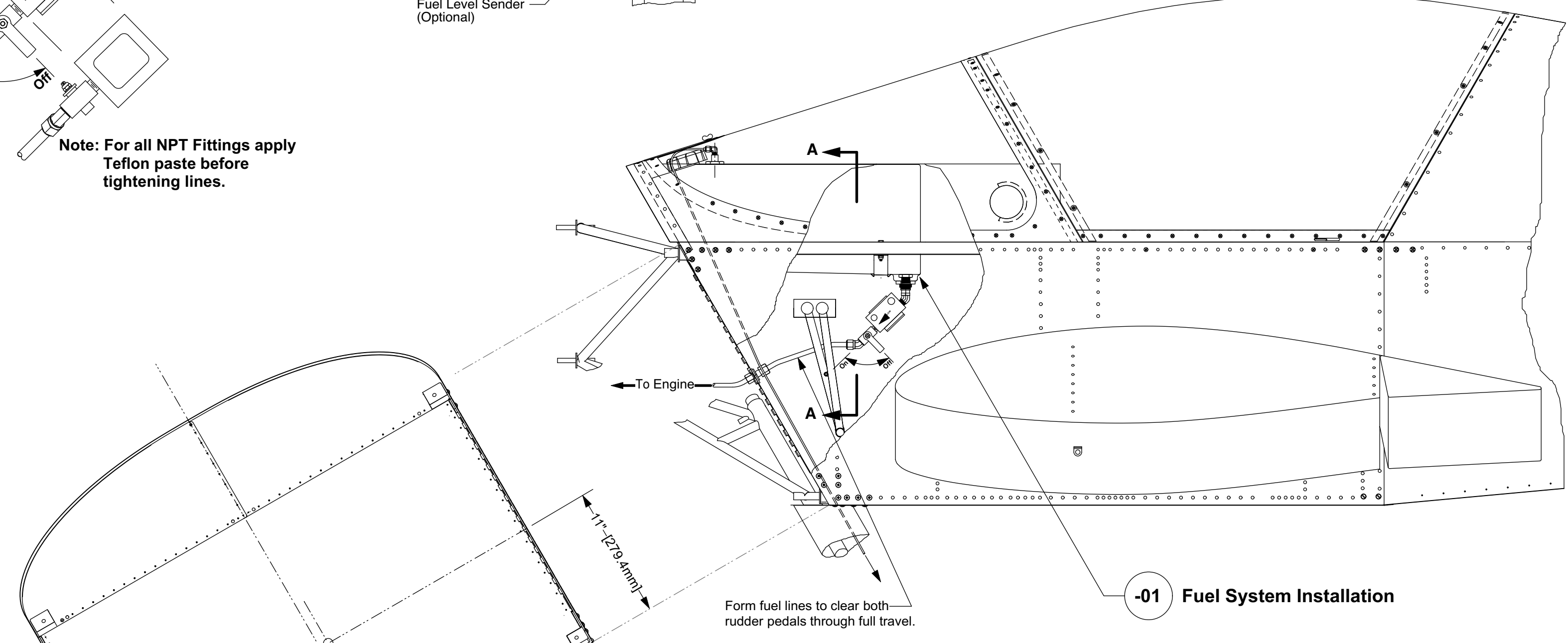
Note: If the tank is drained and allowed to dry it may shrink back to its original size. When fuel is added, it will expand again. Do not tighten the straps of a tank that has shrunk back to its original size.



Detail C
Bulk Head Fitting Detail
Scale: 2:1
Typical for Both Sizes

Installing Bulkhead Fitting:
Note: This is just one method which can be used to position a Bulkhead Fitting in the tank. Any tools or methods that accomplish the task are acceptable.

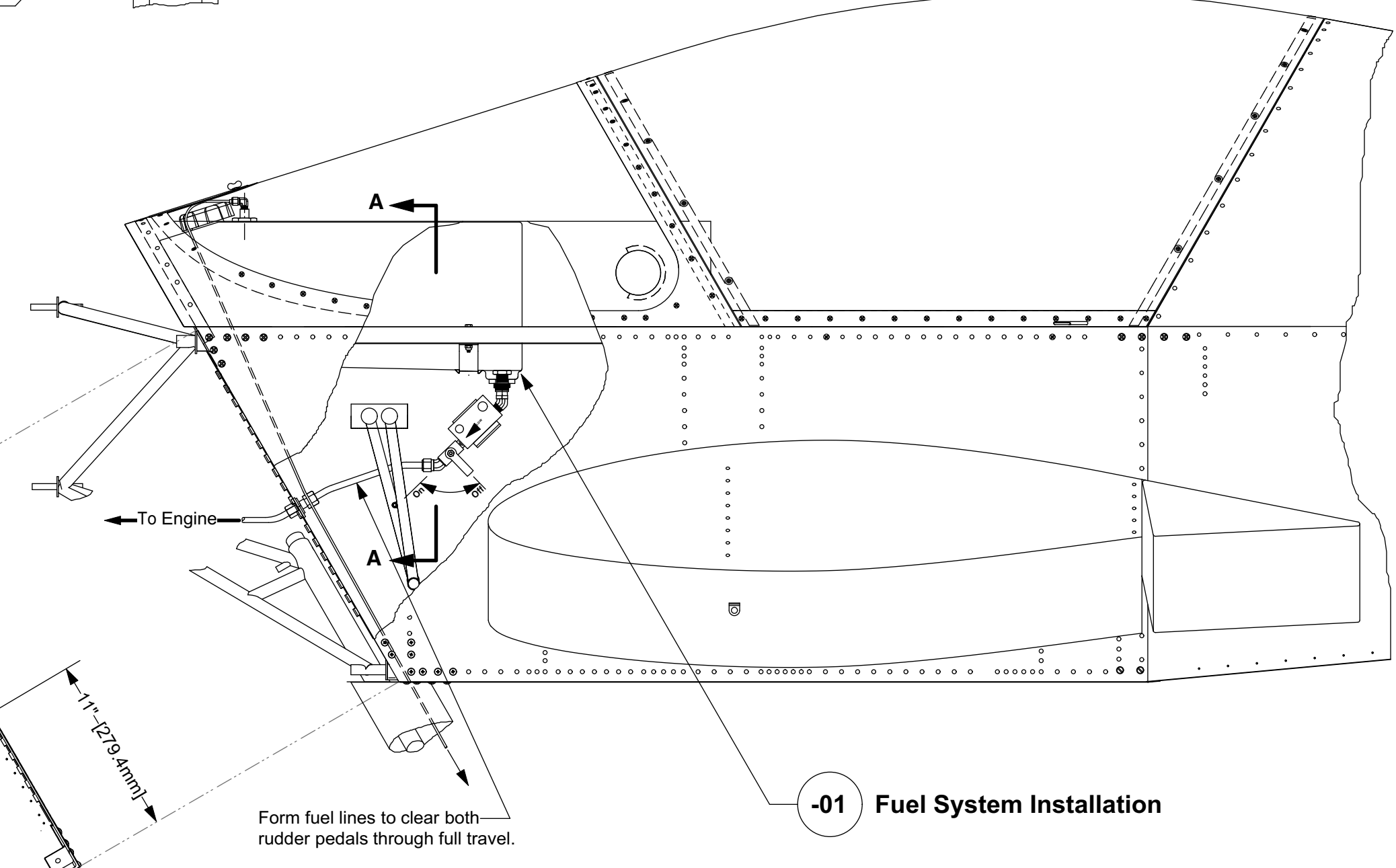
1. Drill holes as required.
2. Use a sharp knife, sandpaper, and other tools as required to smooth both sides of each hole to create a smooth sealing surface.
3. Thoroughly clean the inside of the tank.
4. Guide a flexible wire (electrical wire, coat hanger, safety wire, etc.) through the hole in which you are installing a fitting and out the filler neck.
5. Place the bulkhead fitting (nut removed, and one o-ring installed) over the wire and let it slide through the tank to the hole.
6. Attach a 3/4" diameter washer to the end of the wire which extends from the filler neck and pull the wire/washer into the tank until the washer contacts the bulkhead fitting and "pushes" it through the hole.
7. Slide the bulkhead fitting's nut (with o-ring) over the wire and onto the fitting. Tighten the lock nut by turning it counter-clockwise. The wrench flats on the end of the internal fitting allow it to be held with a wrench while the nut is tightened.
8. Remove the wire and washer from the tank.
9. It is wise to test the fittings for leaks before installing the tank. If you use air pressure, do not apply more than 5 psi.



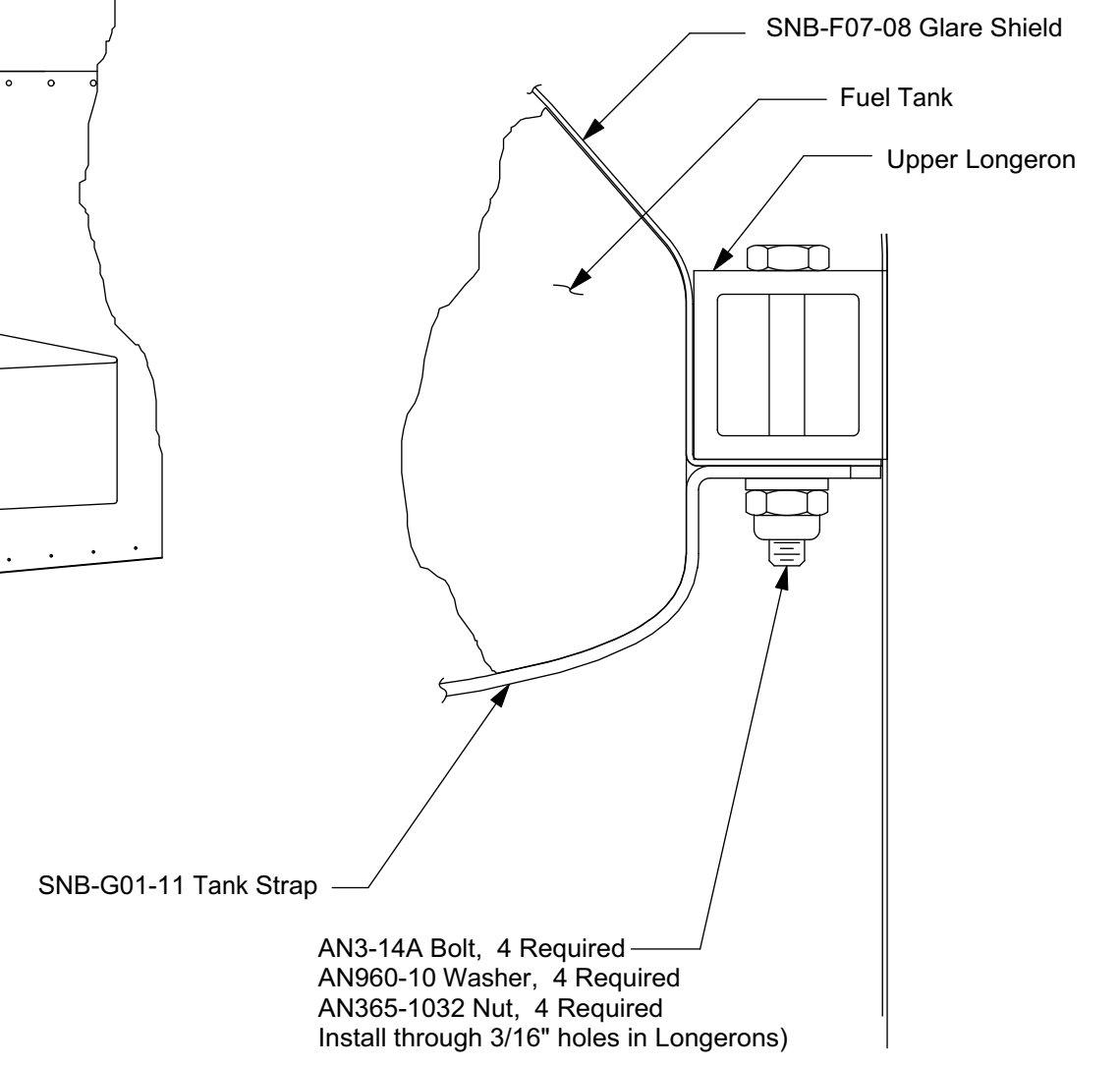
-02 Tank Installation
Scale: 1/4

Section A-A
Detail of Tank Strap Installation
Typical for Aft and Forward Straps
Scale: 1/4

AN3-10A Bolt, 2 Required on -02
Note: Bolt length can vary with each installation. Size bolt as needed.
AN960-10 Washer, 2 Required on -02
AN365-1032 Nut, 4 Required on -02
Note: Snug bolts enough to secure fuel tank in place after it has been exposed to fuel for 6 weeks. Overtightening can deform tank and longerons.



-01 Fuel System Installation



Detail B
Tank Strap Installation
Scale: Full

Install -05 Tank Assembly with Tank pushed aft against Tank Stop Angles on Glare Shield.

XNB-G01-01	1	Fuel System Installation	XNB-B04
Part / Assy Number	Qty. Req'd	Part Title	Next Assembly

Xenos-B
Fuel System Installation

Drawing Scale	Drawing Number	Revision
1/8 & Noted	XNB-G01	D