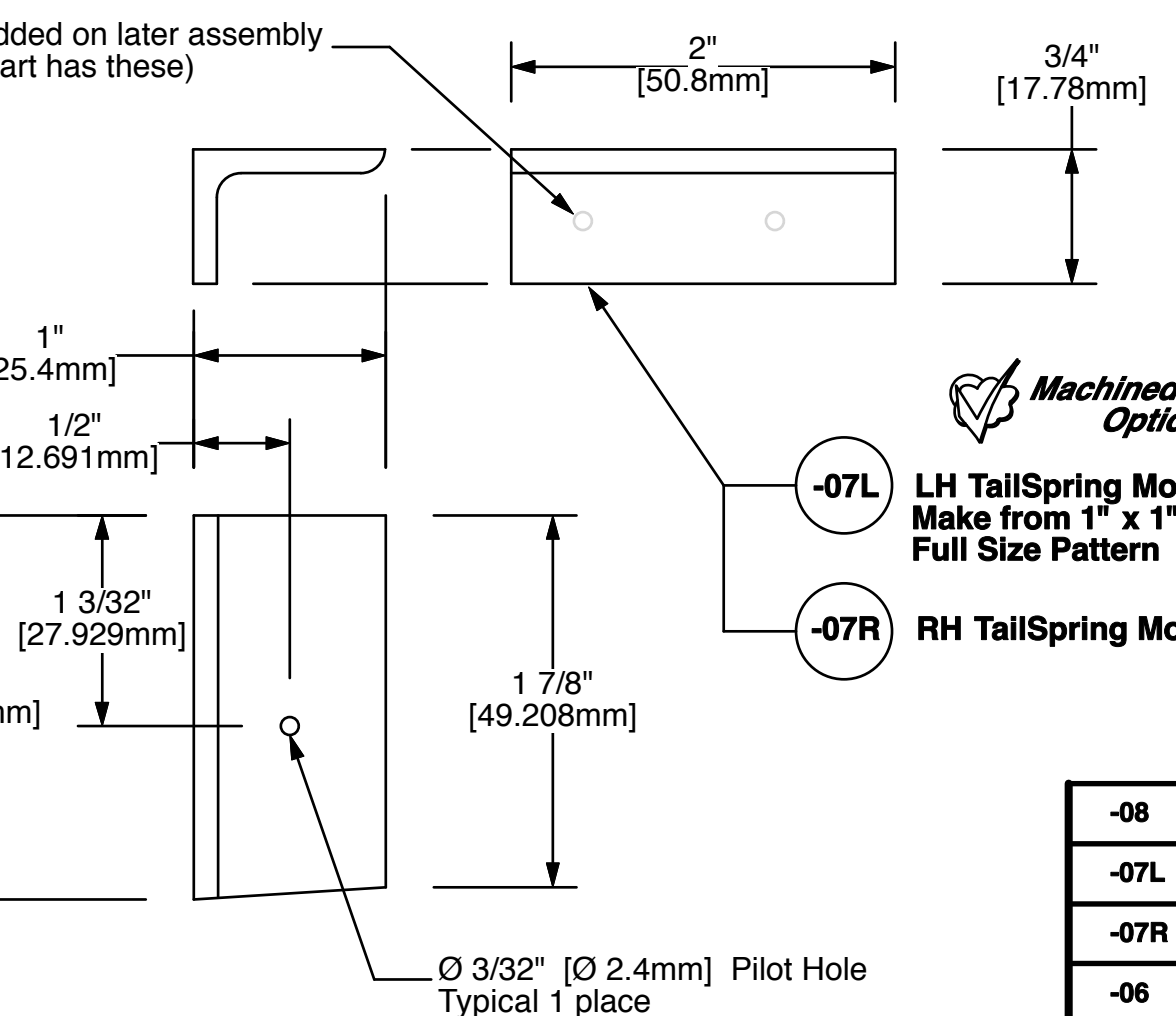
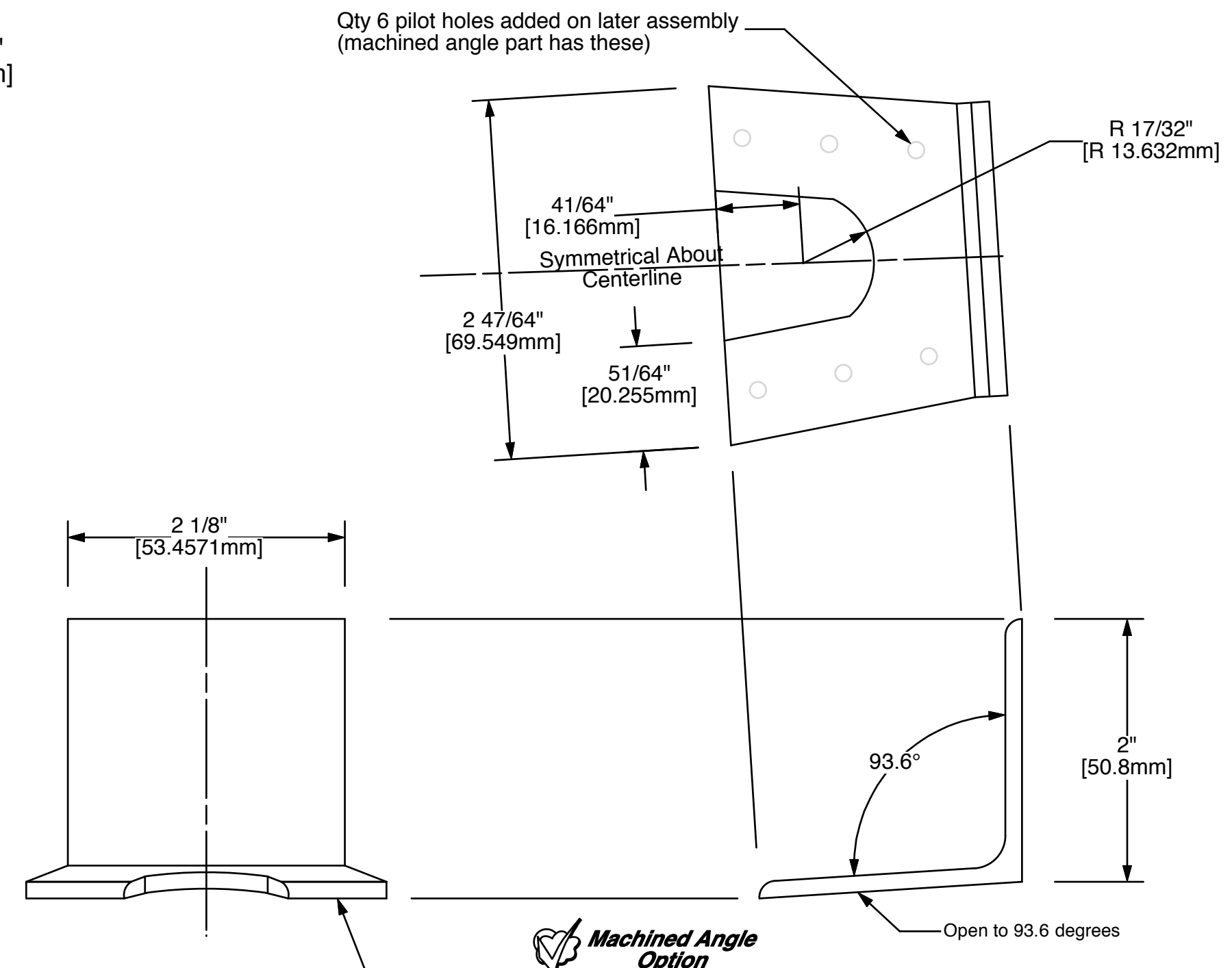
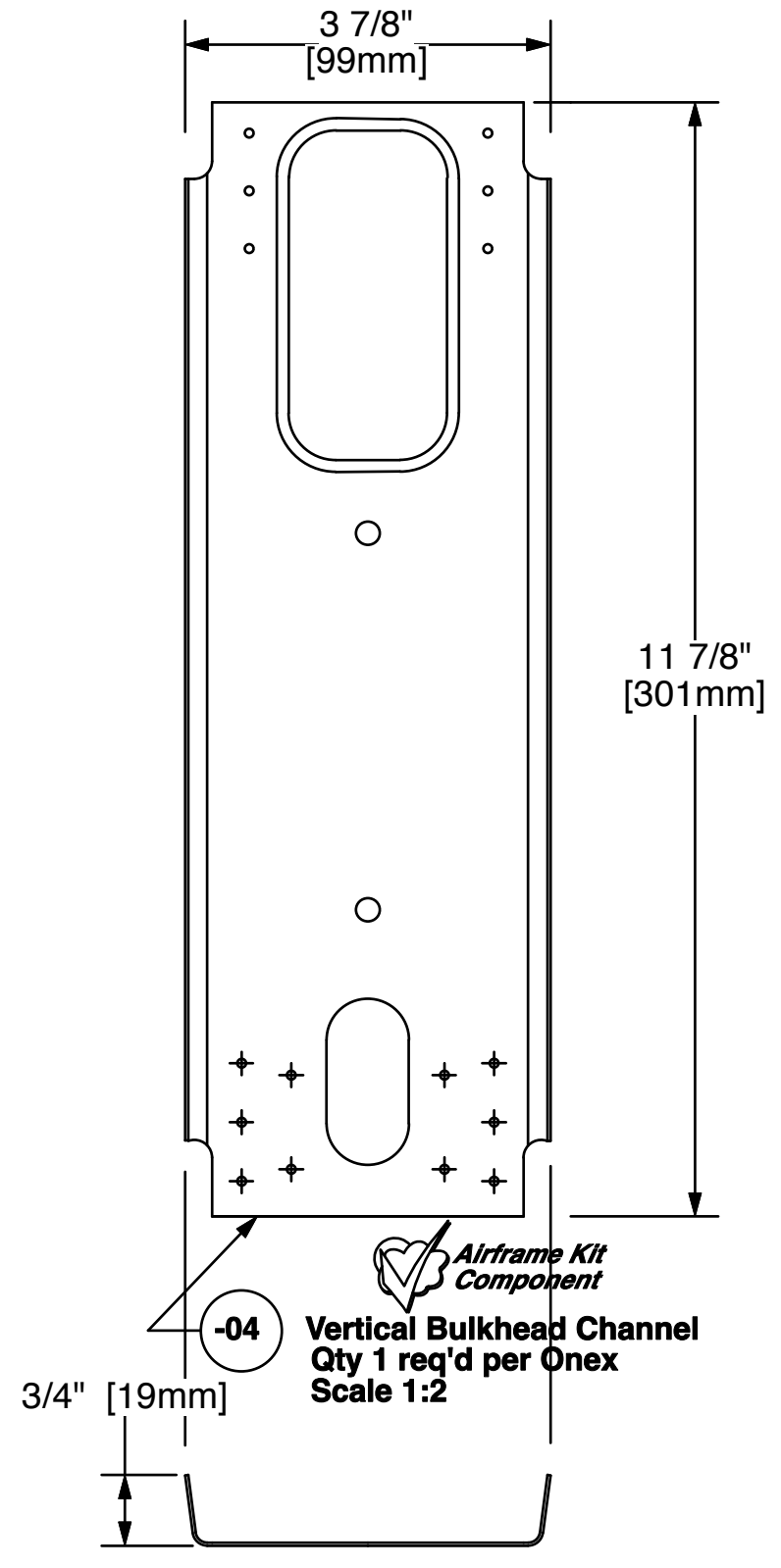
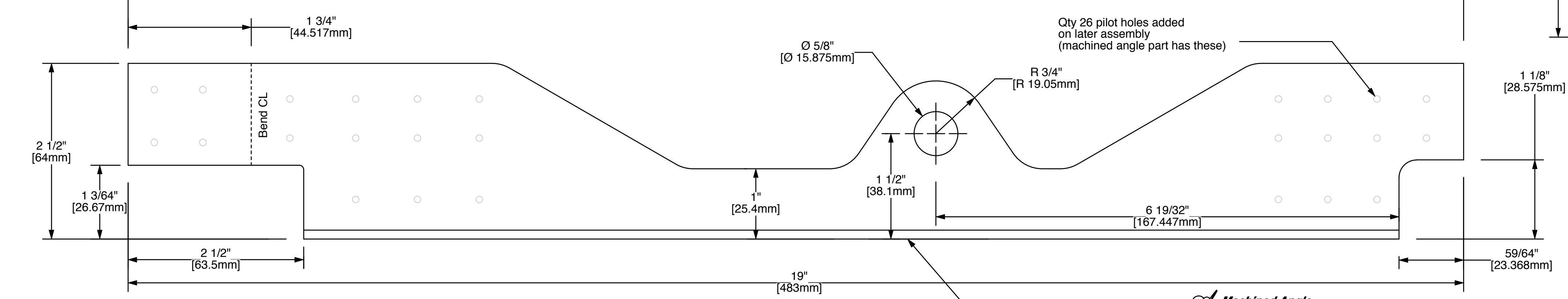
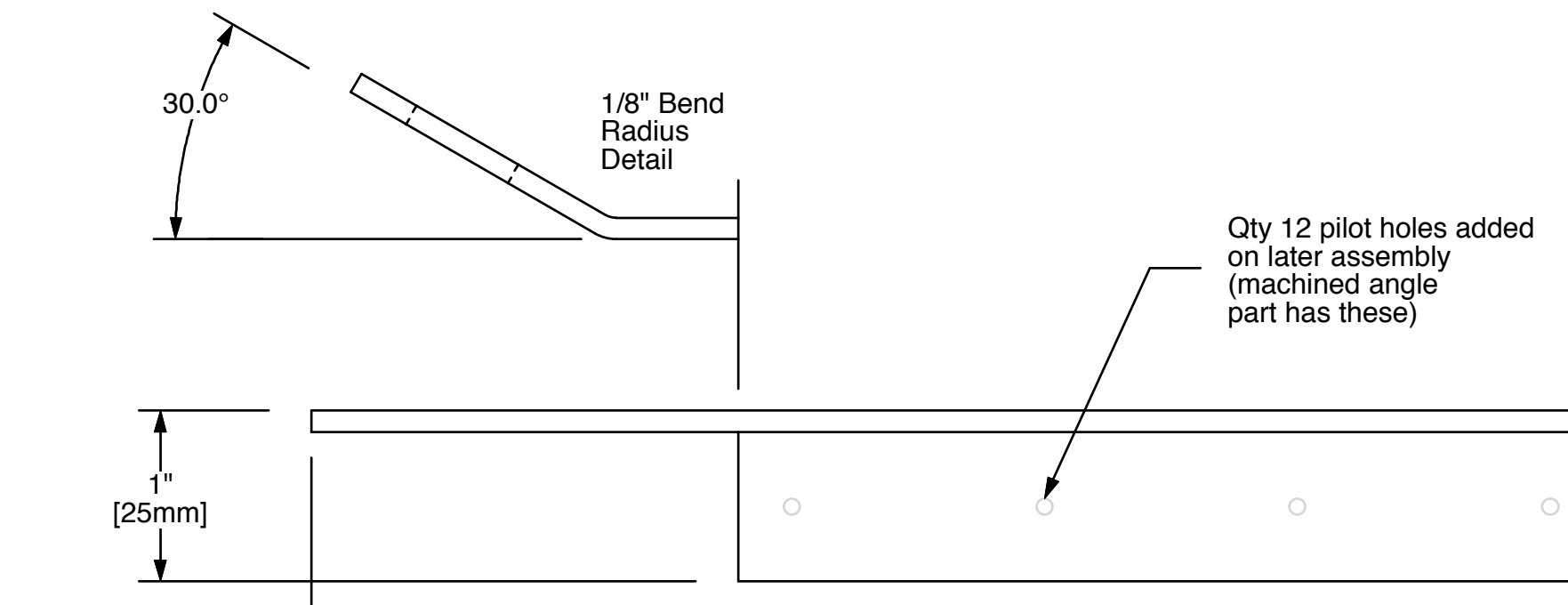
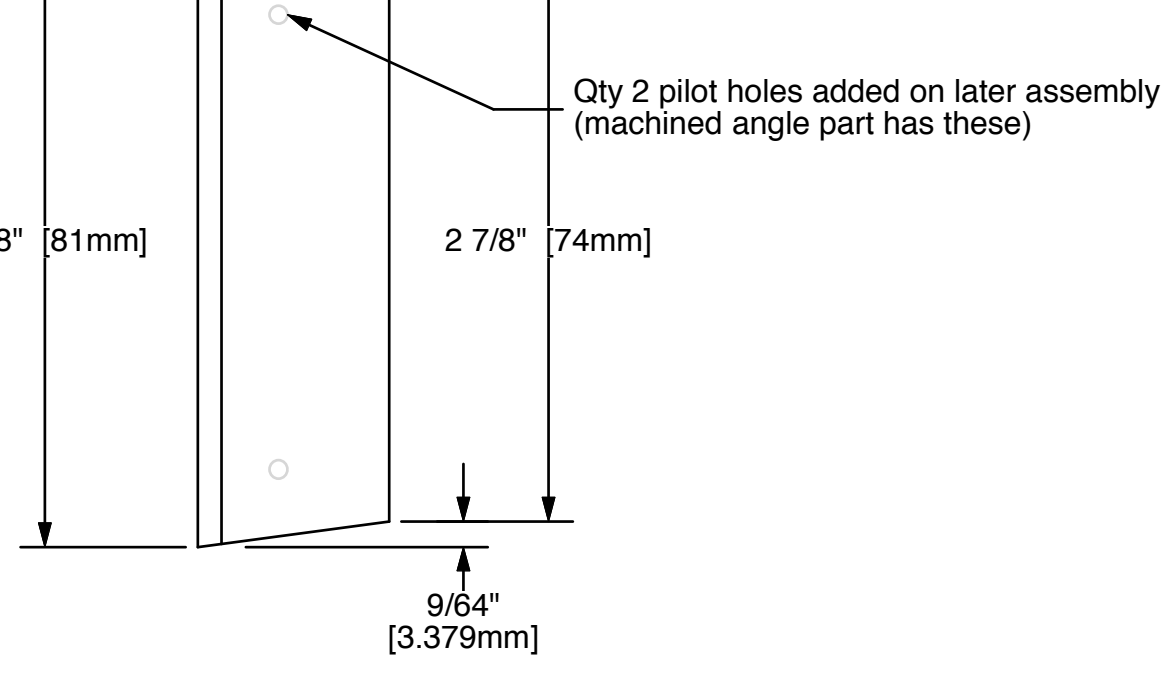
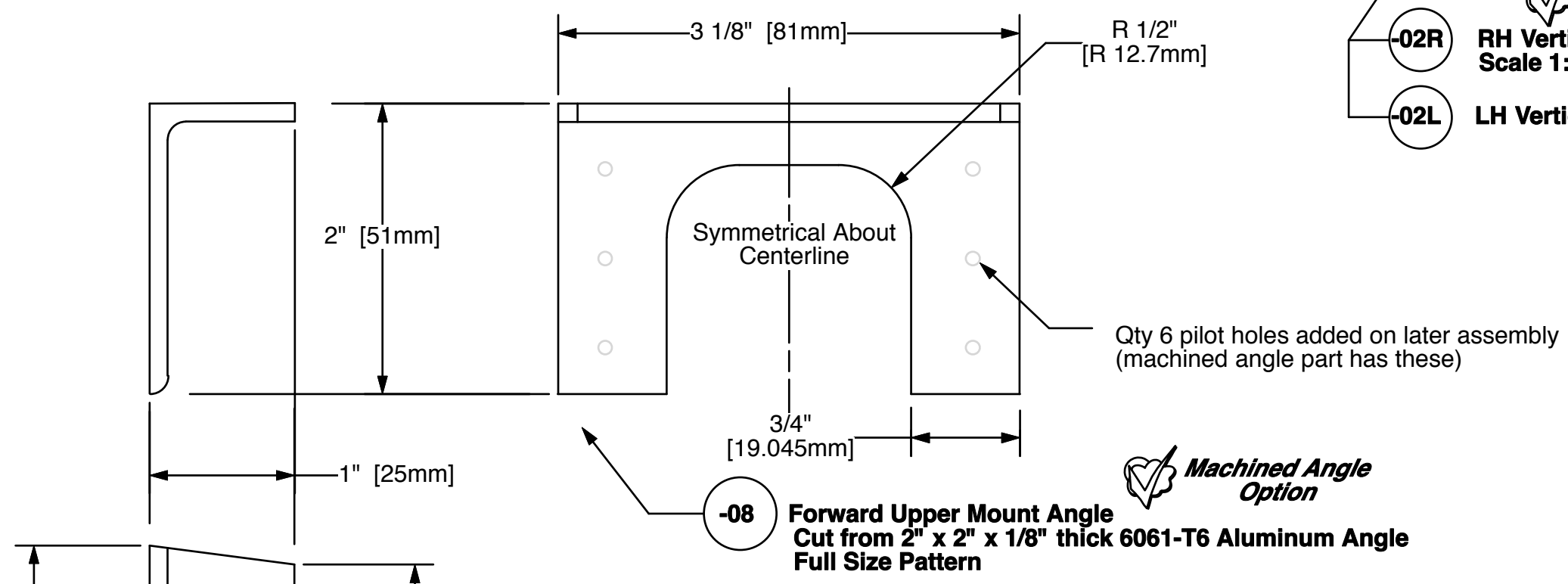
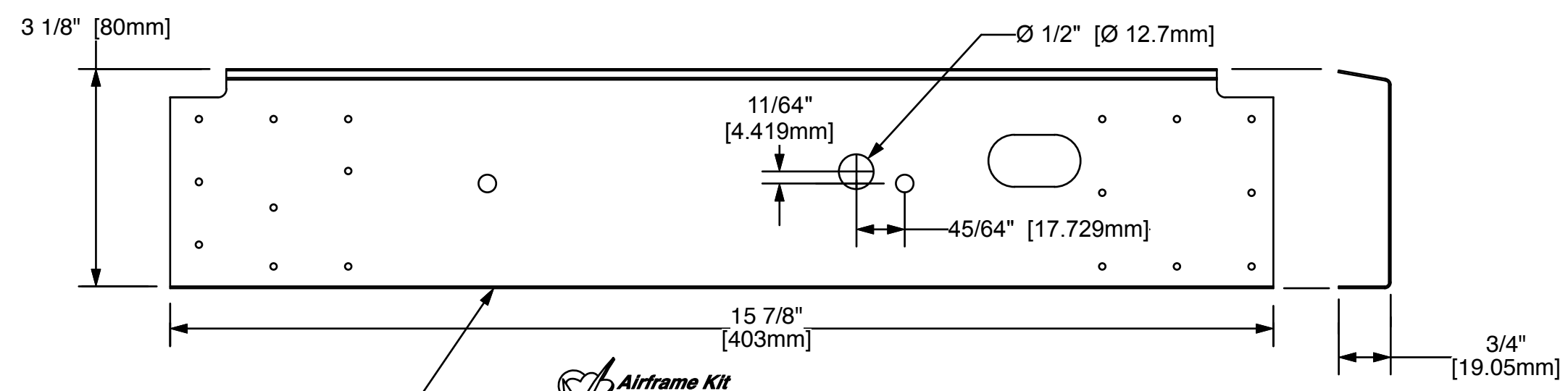
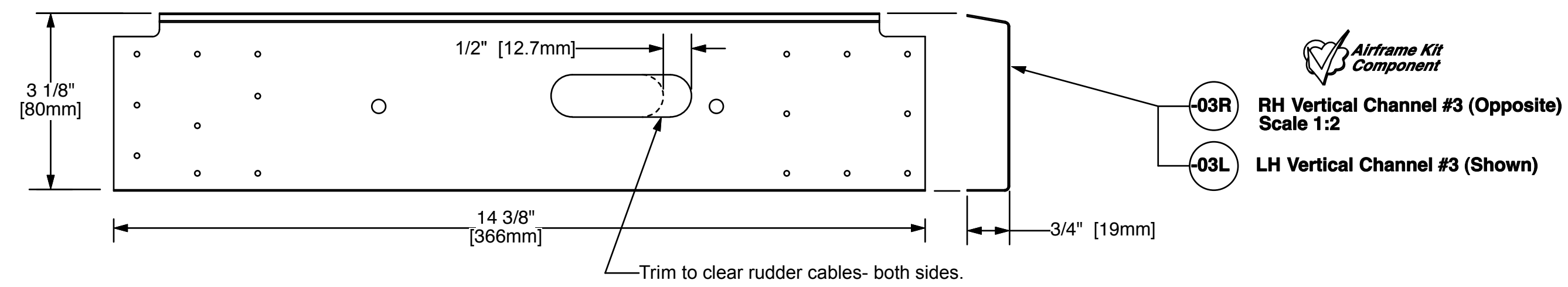


The information disclosed herein is the property of the originator who reserves all patent, design, proprietary, manufacturing, use and sales rights thereto, except for the rights expressly granted to others. This document shall not be reproduced nor shall the information contained within be used by or disclosed to others except as expressly authorized by the originator.

Revision Letter	Change Description
A	Added Cutout Details for Rudder Cables to Vertical Channels #2 and #3 RH and LH.



Dash Number	Quantity Required	Part Title	Next Assembly
-08	1	Forward Upper Mount Angle	ONX-F17
-07L	1	LH Tail Spring Mount Angle	ONX-F17
-07R	1	RH Tail Spring Mount Angle	ONX-F17
-06	1	Aft Lower Mount Angle	ONX-F17
-05	1	Forward Lower Mount Angle	ONX-F17
-04	1	Vertical Channel #5	ONX-F17
-03L	1	Left Hand Vertical Channel #3	ONX-F20
-03R	1	Right Hand Vertical Channel #3	ONX-F20
-02L	1	Left Hand Vertical Channel #2	ONX-F20
-02R	1	Right Hand Vertical Channel #2	ONX-F20
-01L	1	Left Hand Vertical #1	ONX-F20
-01R	1	Right Hand Vertical #1	ONX-F20

onex
Aft Fuselage Panel Channels & Misc. Details

Drawing Scale	Drawing Number	Revision
Full & Noted	ONX-F22	A