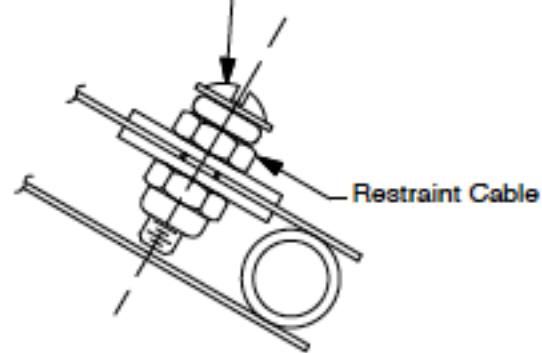


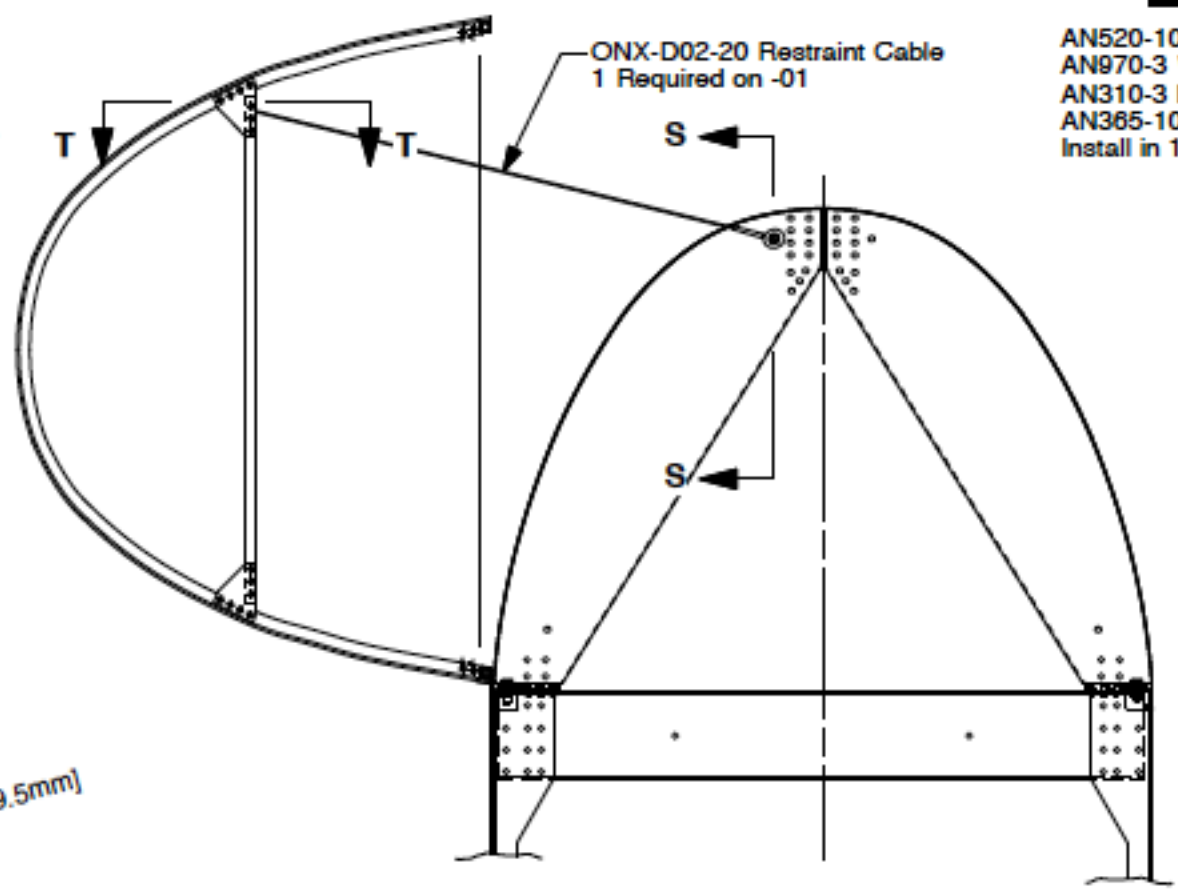
The information disclosed herein is the property of the originator who reserves all patent, design, proprietary, manufacturing, use and sales rights thereto, except for the rights expressly granted to others. This document shall not be reproduced nor shall the information contained within be used by or disclosed to others except as expressly authorized by the originator.

AN520-10R10 Machine Screw, 1 Required on -01
 AN970-3 Washer, 2 Required on -01
 AN310-3 Nut, 1 Required on -01
 AN365-1032 Nut, 1 Required on -01
 Install in 1/4" Tooling Hole in Former



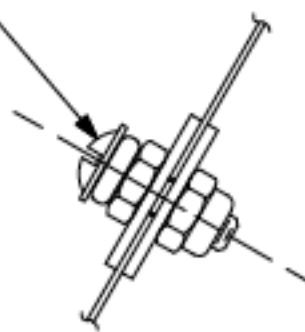
Section T-T
 Full Scale

Slide Canopy between Canopy
 Tube and Side Tube
 Slide Side Tube on -03 Hinge Assembly
 Upper Longeron



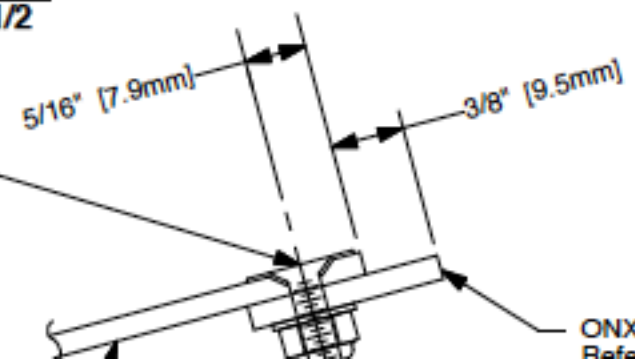
View Looking Aft at forward Turtledeck Bulkhead
 Scale: 1/8

AN520-10R10 Machine Screw, 1 Required on -01
 AN970-3 Washer, 2 Required on -01
 AN310-3 Nut, 1 Required on -01
 AN365-1032 Nut, 1 Required on -01
 Install in 1/4" Tooling Hole in Former



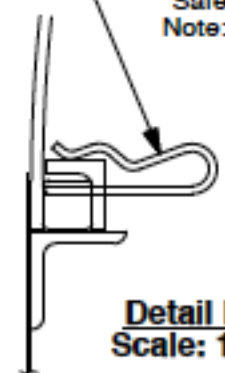
Section S-S
 Full Scale

Section K-K
 Scale: 1/2



ONX-D02-03 Bow Strap Reference

AN415-2 Lock Pin, 1 Required on -01
 Use to maintain latch hooks in the "locked" position for both assembly and as a "Safety Pin" for in flight
 Note: Clip Lock Pin on Drawer Pull Handle when Pin is not in use



Detail R
 Scale: 1/2