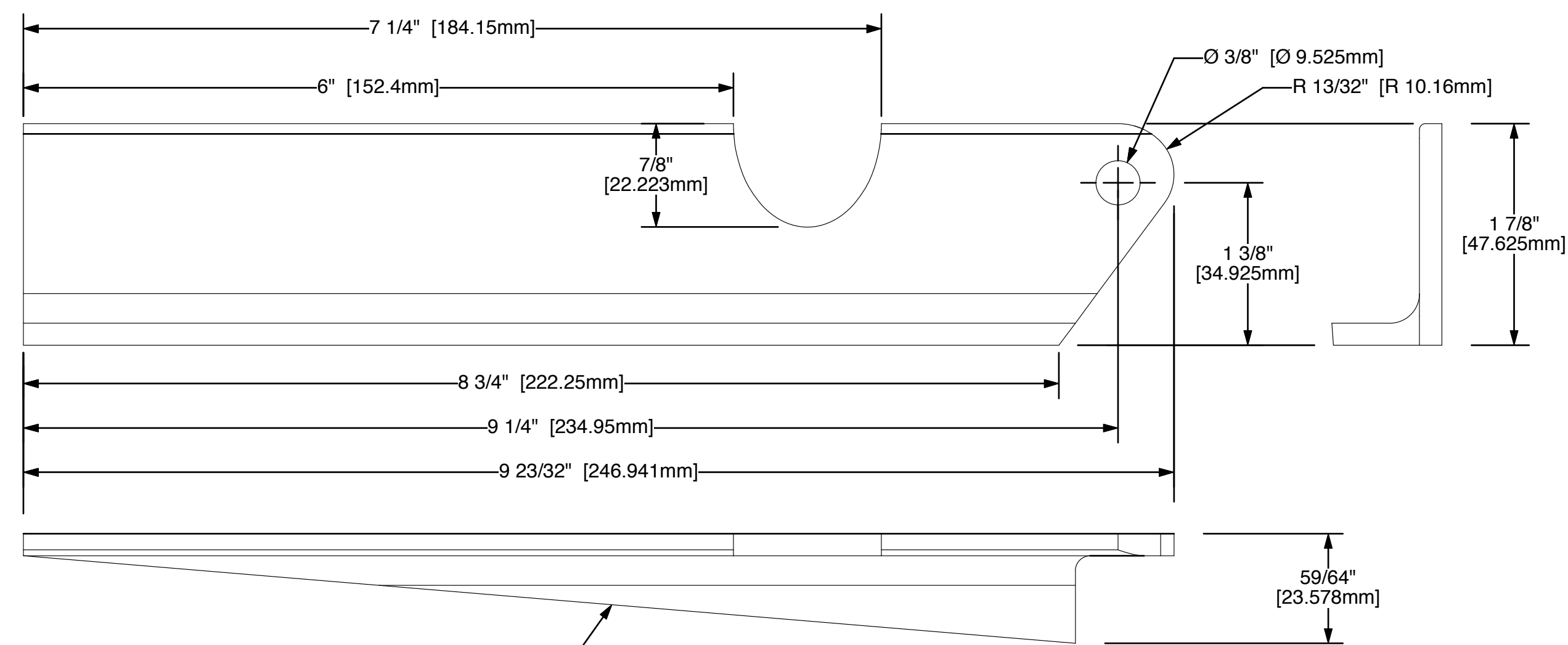
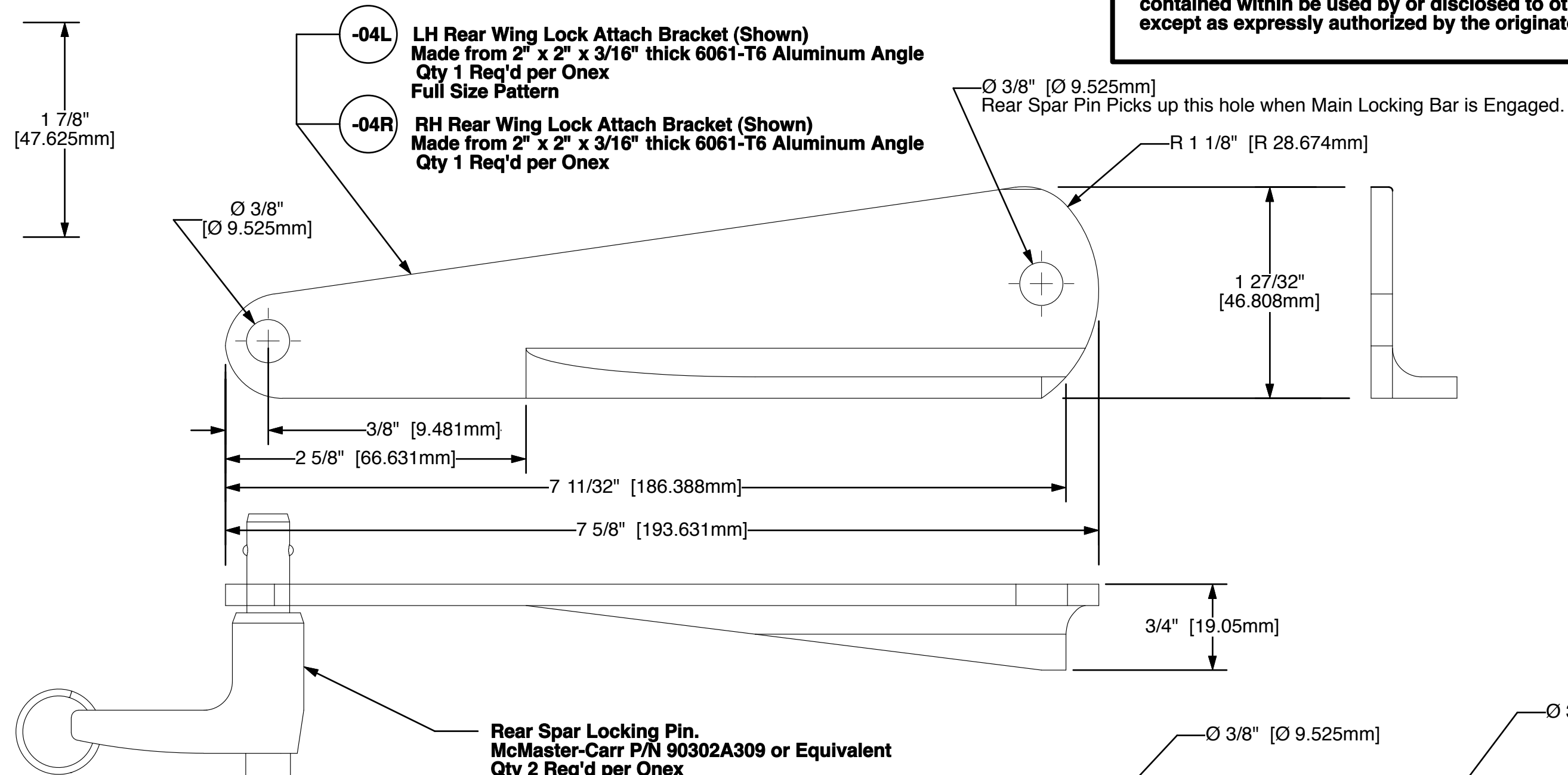


The information disclosed herein is the property of the originator who reserves all patent, design, proprietary, manufacturing, use and sales rights thereto, except for the rights expressly granted to others. This document shall not be reproduced nor shall the information contained within be used by or disclosed to others except as expressly authorized by the originator.

Revision Letter	Change Description
-----------------	--------------------

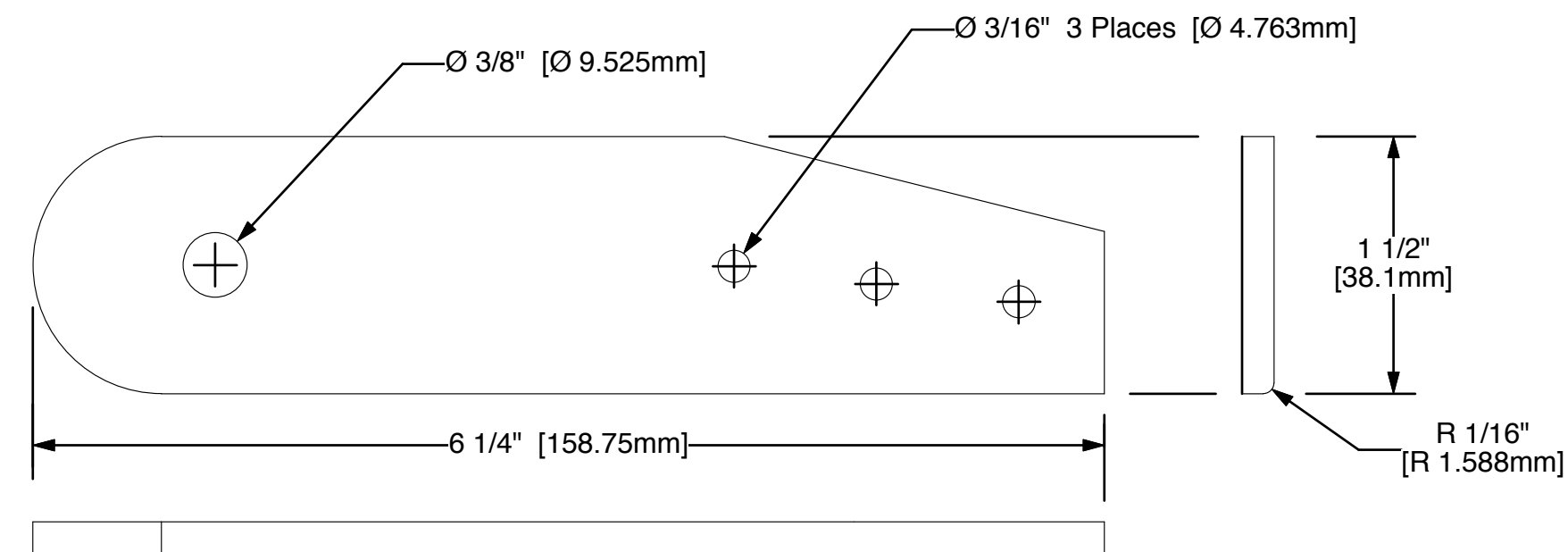


- 02L LH Main Wing Lock Attach Bracket (Shown)
Made from 2" x 2" x 3/16" thick 6061-T6 Aluminum Angle
Qty 2 Req'd per Onex
Full Size Pattern
- 02R RH Main Wing Lock Attach Bracket (Shown)
Made from 2" x 2" x 3/16" thick 6061-T6 Aluminum Angle
Qty 2 Req'd per Onex

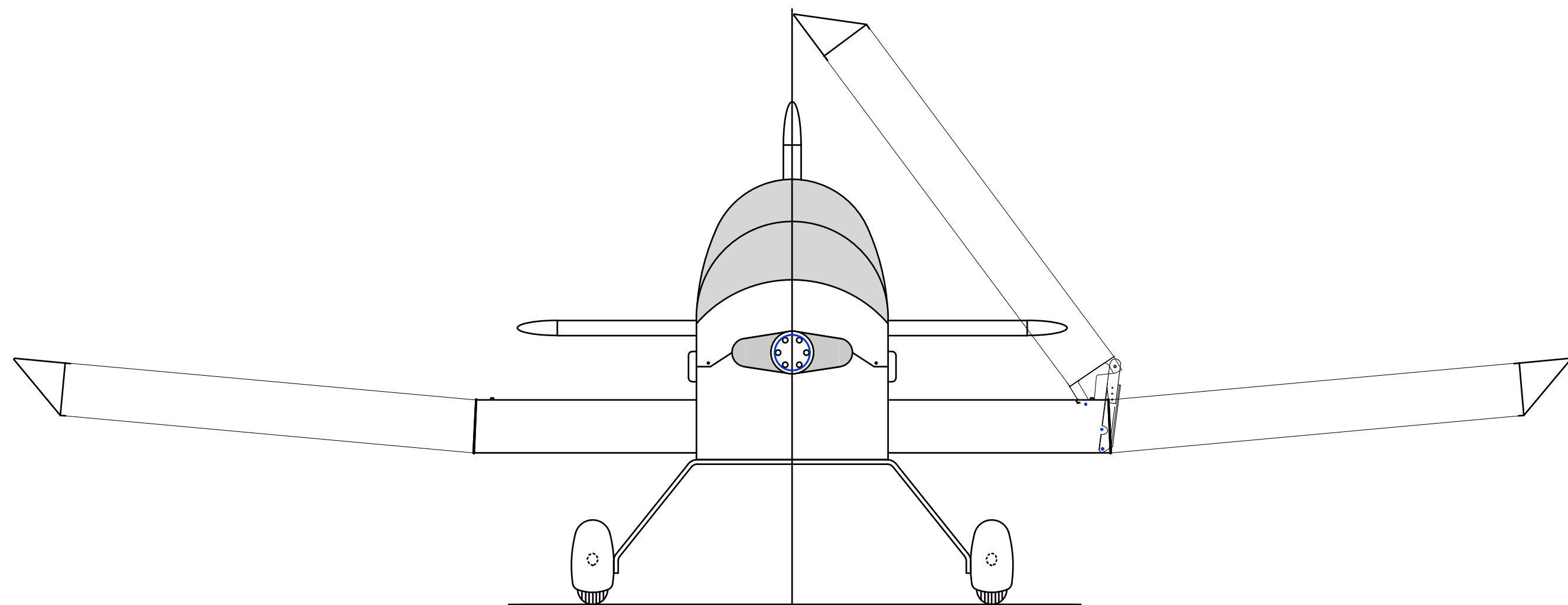


- 04L LH Rear Wing Lock Attach Bracket (Shown)
Made from 2" x 2" x 3/16" thick 6061-T6 Aluminum Angle
Qty 1 Req'd per Onex
Full Size Pattern
- 04R RH Rear Wing Lock Attach Bracket (Shown)
Made from 2" x 2" x 3/16" thick 6061-T6 Aluminum Angle
Qty 1 Req'd per Onex

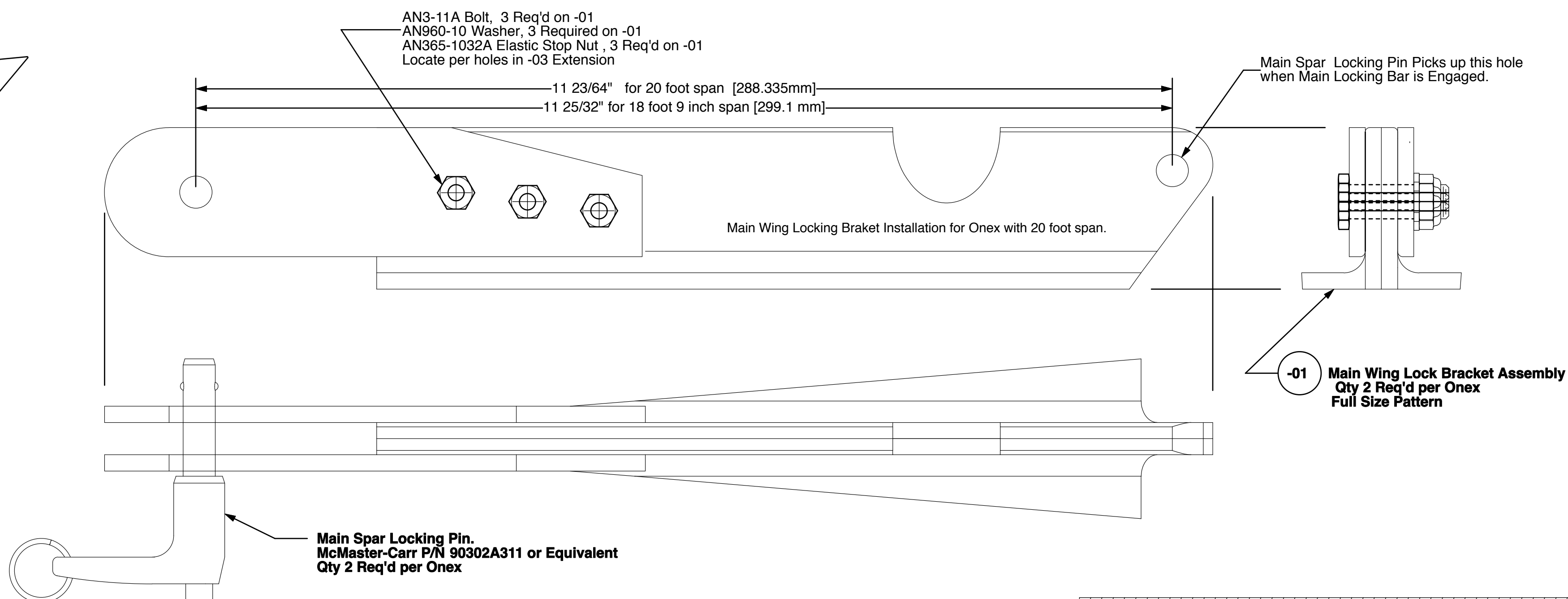
Rear Spar Locking Pin.
McMaster-Carr P/N 90302A309 or Equivalent
Qty 2 Req'd per Onex



- 03L Main Wing Lock Extension (Shown)
Made from 3/16" thick 6061-T6 Aluminum
Qty 2 Req'd per Onex
Full Size Pattern
- 03R Main Wing Lock Extension (Shown)
Made from 3/16" thick 6061-T6 Aluminum
Qty 2 Req'd per Onex

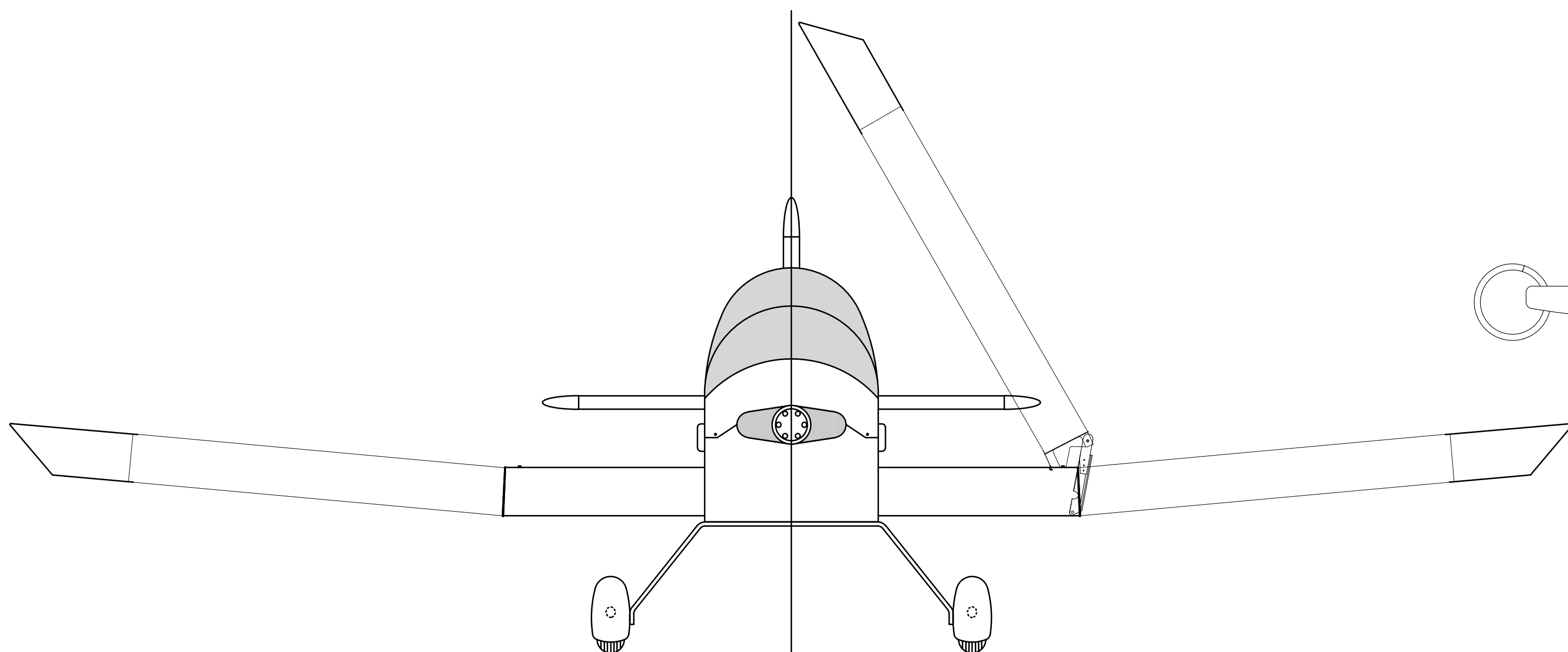


Main Wing Locking Bracket Installation for Onex with 18 foot 9 inch span.



- AN3-11A Bolt, 3 Req'd on -01
- AN960-10 Washer, 3 Required on -01
- AN365-1032A Elastic Stop Nut, 3 Req'd on -01
- Locate per holes in -03 Extension

-01 Main Wing Lock Bracket Assembly
Qty 2 Req'd per Onex
Full Size Pattern



Main Wing Locking Bracket Installation for Onex with 20 foot span.

Note: Wing Attach Brackets should only be used for short trips and/or to keep wings secured in the up position. Sonex recommends the outboard wing panel be removed for longer trips.

Note: General Construction Order

- 1) Fabricate -02R/L, -03R/L, and -04R/L
- 2) Fold outboard wing panels up and install -02R/L back-to-back with main wing pin engaged on your Onex.
- 3) Install -03R/L Extensions through the outboard Wing Panel Hole using the Main Spar Locking Pin.
- 4) Clamp -03R/L Extensions to -02R/L Brackets. Remove and Drill the 3/16" Bolt holes through the -02R/L Brackets to create your custom -01 Main Wing Lock Bracket Assembly that minimizes the height of your wings in the folded position.

Dash Number	Quantity Required	Part Title	Next Assembly
Full		onex Optional Wing Locks	
Drawing Scale	Drawing Number	Revision	
	ONX-B05	N/C	