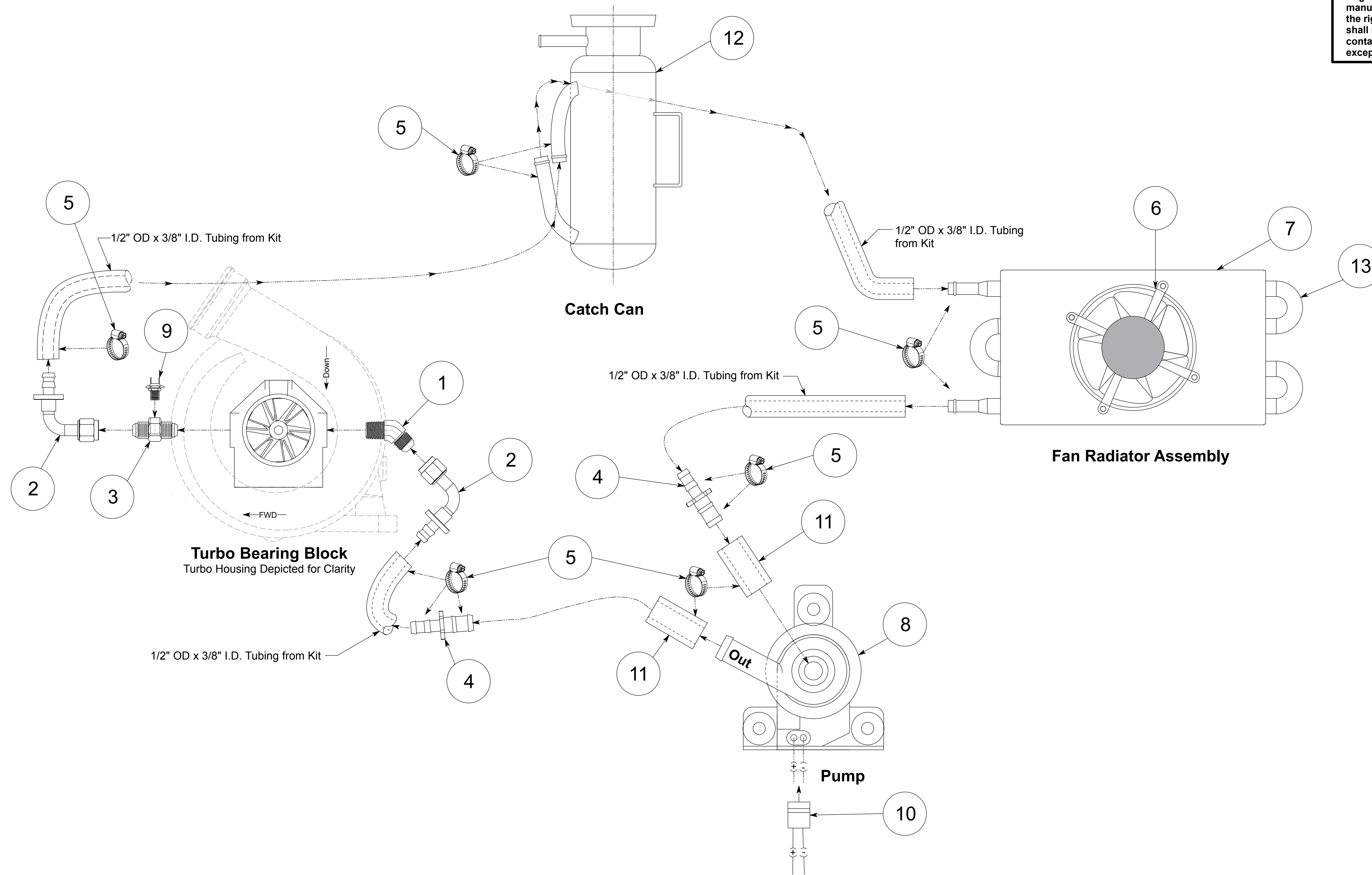
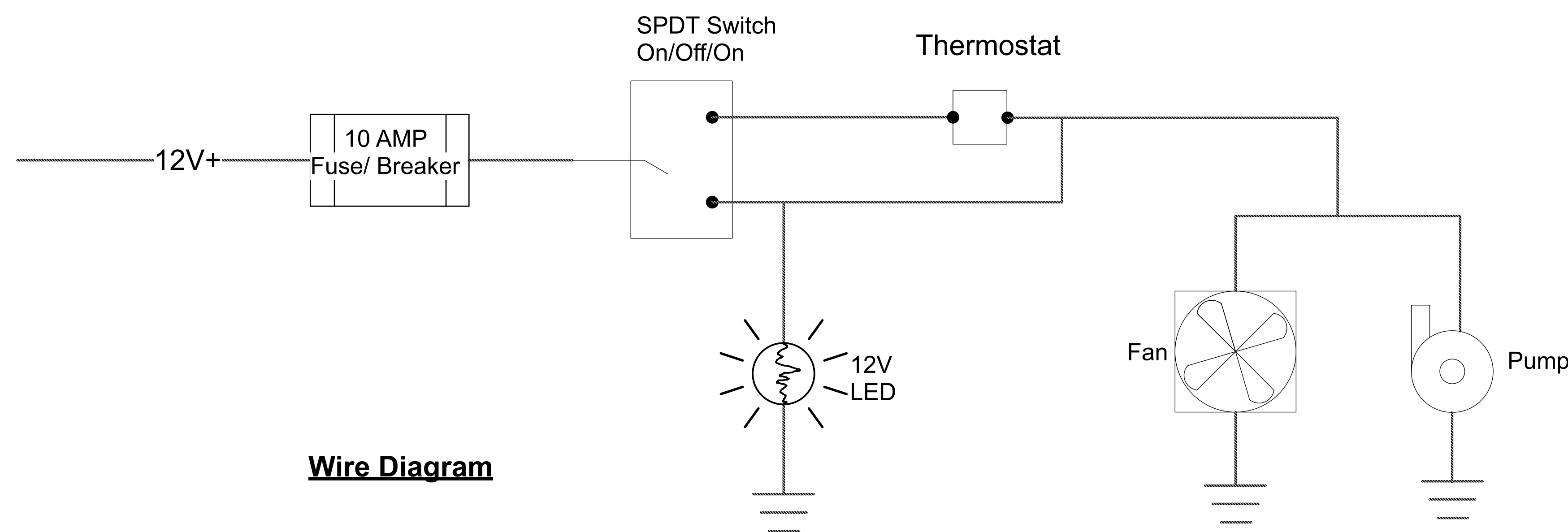


The information disclosed herein is the property of the originator who reserves all patent, design, proprietary, manufacturing, use and sales rights thereto, except for the rights expressly granted to others. This document shall not be reproduced nor shall the information contained within be used by or disclosed to others except as expressly authorized by the originator. ©

Revision Letter	Change Description
A	BOM Revisions: Item -03. Added complete part description. Item -06. Removed "200cfm" from description. 3.08.18
B	Item 13 is now Tube and Fin Transmission Cooler was Remote Aluminum Radiator / Transmission Oil Cooler Kit. Added note above title block. Radiators may vary — check before cutting your Plenum. 3.20.18



BOM Turbo Cooling System		
Item #	Description	Qty.
1	AN-6 to 1/4" NPT 45°	1
2	AN-6 to Barb 90°	2
3	AN-6 to 1/4 NPT Fuel Pressure Gauge Fitting	1
4	3/8" to 1/2" Hose Barb Reducer	2
5	5/16" x 7/8" Stainless Steel Hose Clamps	12
6	Spal 30103009 4" Paddle Blade Pusher Fan or equal	1
7	Radiator Plenum (See ACV-T06-02 Drawing)	1
8	Prius Water Cooling Pump for Electric Inverter Engine Coolant	1
9	American Volt 180°F Radiator Fan Thermostat Switch	1
10	Auto Electrical Connector Kit 2 Pin Car Waterproof Plug Adapter	1
11	1/2" Id x 2" silicone heater hose	2
12	ACV Coolant Catch Can ACV-G01-03	1
13	Tube and Fin Transmission Cooler (Core size: 8.75" x 5.0" x 3/4" core) Includes 4' x 1/2" ID x 3/8 OD Hose Included with Kit.	1



Wire Diagram

Note:
Radiators may vary — check before cutting your Plenum.

Part / Assy Number	Qty. Req'd	Part Title	Next Assembly
AEROCONVERSIONS			
Turbo Cooling Diagram			
Drawing Scale	Drawing Number	Revision	
1/8 & Noted	ACV-T06	B	